

Model	Fuser for NC11	Volt/Hz	Date of Modification	Serial Number
Modified Article	Parts Catalog			
Reason for Modification	Parts catalog correction			

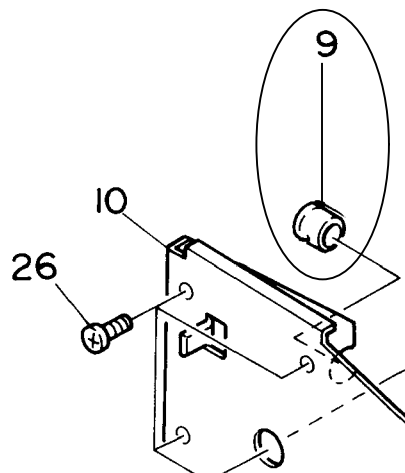
Please correct your parts catalog as follows:

Page	Index No.	Incorrect P/N	Correct P/N	Description
1 - 9	7	VFA90236	VFA25966	Terminal

Please delete the following part from your parts catalog:

Page	Index No.	Part Number	Description
1 - 9	18	VFF15577	Cable-TB-CB1-220/240V

Please delete the following illustration:
[Page 1 - 6]



Please add the following parts to your parts catalog:

Page	Index No.	Parts Number	Description	Q'ty
1 - 3	* 32	VFS08111	Caution Decal - 115V	1
1 - 3	* 32	VFS08114	Caution Decal - 220/240V	1
1 - 5	* 51	VFA19298	Spacer	1

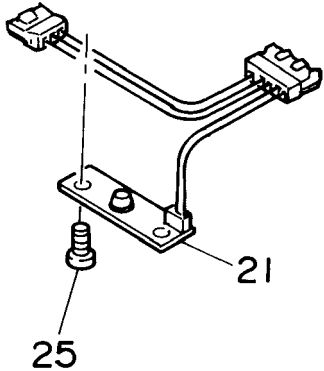
* New Index

Please add the following part to your parts catalog and correct the illustration below:

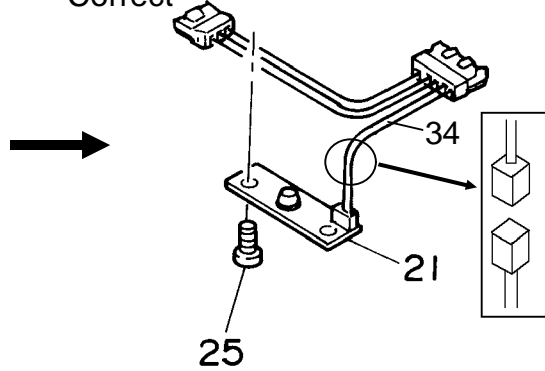
Page	Index No.	Part Number	Description
1 - 7	34	VFF16192	Harness

[Page 1 - 8]

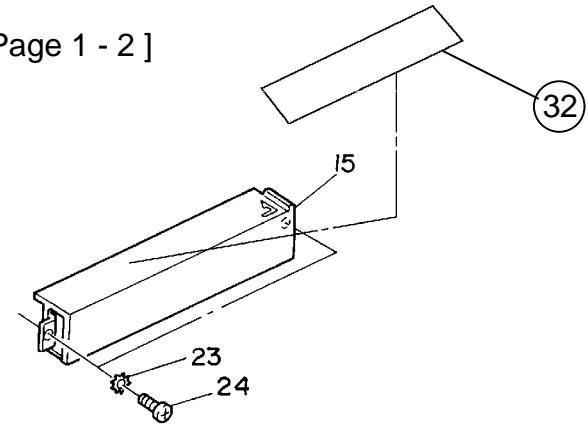
Incorrect



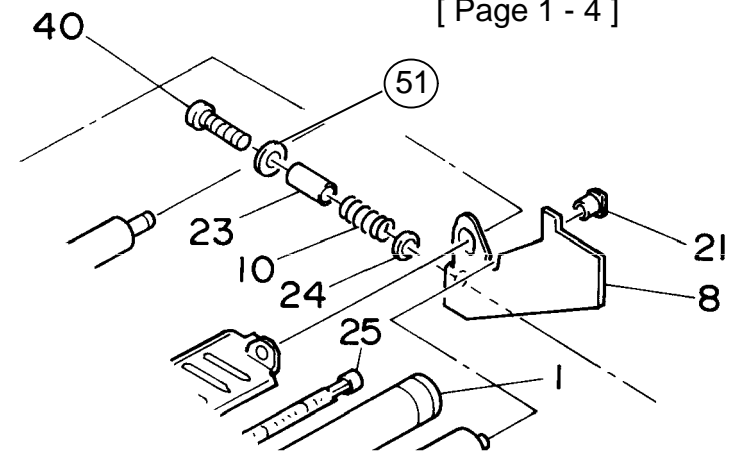
Correct



[Page 1 - 2]



[Page 1 - 4]



T. Ito, Manager
Copier Technical Support

MODEL NAME	V/Hz	DESTINATION	CODE	SERIAL NUMBER
Nashua FUC240	115/60	Canada	A963-16	
RICOH TP FUSER 1	115/60	USA, Canada	A963-17	
Nashua FUC240	240/50	UK	A963-23	
Infotec FFU 7125	240/50	UK	A963-24	
Nashua FUC240	220/50	Europe	A963-25	
Infotec FFU 7125	220/50	Europe	A963-26	
RICOH TP FUSER 1	220/50	Europe, etc.	A963-27	
RICOH TP FUSER 1	240/50	UK	A963-28	